

Specifications

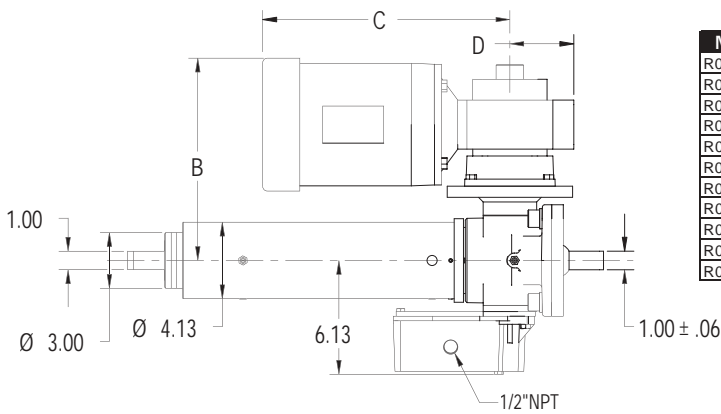
Maximum Capacity	5 Tons
Maximum Speed	136 in/min
Temperature Range	-20° to 120° F (-29° to 50° C)
Construction	Ductile iron actuator housing, and thin dense nodular chrome plated translating tubes. The translating tubes feature hydraulic cylinder grade wiper seals, and are guided at both ends by polymeric bearings.
Power	Brake motor
Mounting	Double clevis
Load Screw	ACME or ball screw
Limit Switches	Independently adjustable

Series	Model	Capacity (lbs.)	Speed (in/min)	HP (1725)	Max Stroke (inches)	Screw Life (million in.)	Dia x Lead (inches)	Screw Type	Configuration
SCW05	W0506B47	5850	136	3	79.0	5.7	1.50 x .474	Ball	Right Angle
	R0524B01	9900	71.9	3	61.9	0.44	1.50 x 1.00	Ball	Parallel
	R0530B01	8000	57.5	2	68.8	0.84	1.50 x 1.00	Ball	Parallel
	R0524B47	7400	34	1	71.6	2.8	1.50 x .474	Ball	Parallel
	R0530B47	9200	27.2	1	64.2	1.5	1.50 x .474	Ball	Parallel
	R0530A37	10000	21.5	3	57.3	N/A	1.50 x .375	Acme	Parallel
	R0545B47	10000	18.1	3/4	61.6	1.1	1.50 x .474	Ball	Parallel
	R0560B47	8900	13.6	1/2	65.3	1.6	1.50 x .474	Ball	Parallel
	R0560A37	10000	10.8	1-1/2	57.3	N/A	1.50 x .375	Acme	Parallel
	R05120B47	10000	6.8	1/3	61.6	1.10	1.50 x .474	Ball	Parallel
	R05120A37	9800	5.4	3/4*	57.9	N/A	1.50 x .375	Acme	Parallel
	R05240B47	10000	3.4	1/4	61.6	1.1	1.50 x .474	Ball	Parallel

Models with asterisk by motor HP are inherently load holding. Motor brake may be omitted if slight drift is acceptable.

Product Dimensions

Standard orientations shown.
 Reducer, motor, and limit switch
 can be rotated 90° increments.



Model	A	B	C	D	E	F
R0524B01	19.0 + (1.25xStroke)	11.87	19.92	3.44	9.22	2.00
R0530B01	19.0 + (1.25xStroke)	11.08	19.94	3.44	7.16	1.75
R0524B47	19.0 + (1.25xStroke)	11.08	17.56	3.44	7.16	1.75
R0530B47	19.0 + (1.25xStroke)	11.08	17.56	3.44	7.16	1.75
R0530A37	18.0 + (1.25xStroke)	11.08	19.92	3.44	7.16	1.75
R0545B47	19.0 + (1.25xStroke)	11.08	17.06	3.44	7.16	1.75
R0560B47	19.0 + (1.25xStroke)	11.08	17.06	3.44	7.16	1.75
R0560A37	18.0 + (1.25xStroke)	11.08	18.94	3.44	7.16	1.75
R05120B47	19.0 + (1.25xStroke)	11.08	15.56	3.44	7.16	1.75
R05120A37	18.0 + (1.25xStroke)	11.08	17.06	3.44	7.16	1.75
R05240B47	19.0 + (1.25xStroke)	11.08	15.56	3.44	7.16	1.75

