

Specifications

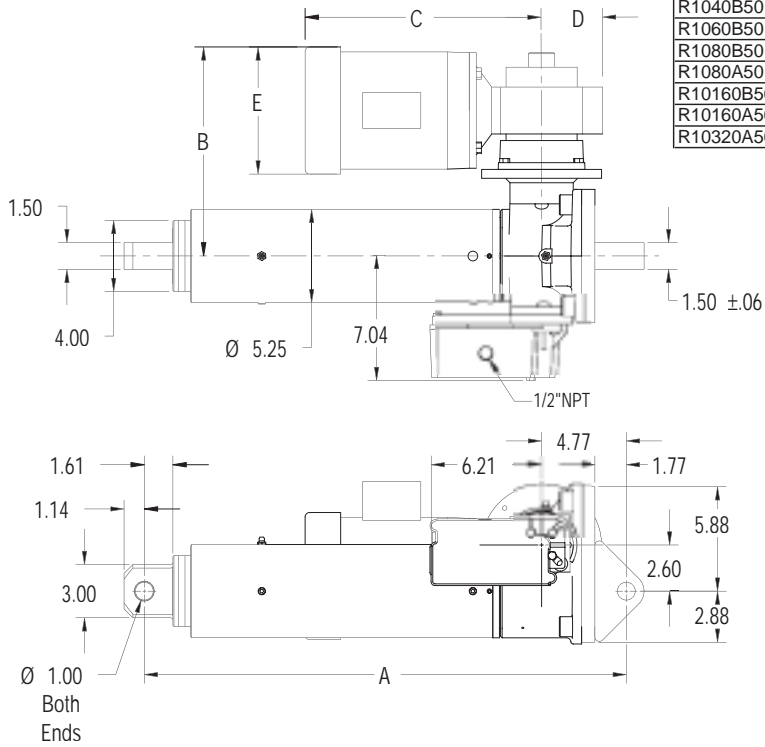
Maximum Capacity	10 Tons
Maximum Speed	108 in/min
Temperature Range	-20° to 120° F (-29° to 50° C)
Construction	Ductile iron actuator housing, and thin dense nodular chrome plated translating tubes. The translating tubes feature hydraulic cylinder grade wiper seals, and are guided at both ends by polymeric bearings.
Power	Brake motor
Mounting	Double clevis
Load Screw	ACME or ball screw
Limit Switches	Independently adjustable

Series	Model	Capacity (lbs.)	Speed (in/min)	HP (1725)	Max Stroke (inches)	Screw Life (million in.)	Dia x Lead (inches)	Screw Type	Configuration
SCW10	W1008B50	11000	108	5	108.0	7.2	2.25 x .50	Ball	Right Angle
	W1012B50	9600	72	3	108.0	10.9	2.25 x .50	Ball	Right Angle
	R1032B50	17050	27	2	108.0	1.9	2.25 x .50	Ball	Parallel
	R1040A50	20000	21.6	5	69.0	N/A	2.00 x .50	Acme	Parallel
	R1040B50	20000	21.6	2	108.0	1.2	2.25 x .50	Ball	Parallel
	R1060B50	15500	14.4	1	108.0	2.6	2.25 x .50	Ball	Parallel
	R1080B50	20000	10.8	1	108.0	1.2	2.25 x .50	Ball	Parallel
	R1080A50	17500	10.8	2	73.8	N/A	2.00 x .50	Acme	Parallel
	R10160B50	18900	5.4	1/2	108.0	1.4	2.25 x .50	Ball	Parallel
	R10160A50	20000	5.4	1-1/2	69.0	N/A	2.00 x .50	Acme	Parallel
R10320A50	20000	2.7	3/4*	69.0	N/A	2.00 x .50	Acme	Parallel	

Models with asterisk by motor HP are inherently load holding. Motor brake may be omitted if slight drift is acceptable.

Product Dimensions

Model	A	B	C	D	E	F
R1032B50	22.125 + (1.25xStroke)	11.83	19.94	3.44	7.16	2.00
R1040A50	19.625 + (1.25xStroke)	13.64	21.69	4.50	9.22	2.63
R1040B50	22.125 + (1.25xStroke)	11.95	19.94	3.44	7.16	1.75
R1060B50	22.125 + (1.25xStroke)	11.95	17.56	3.44	7.16	1.75
R1080B50	22.125 + (1.25xStroke)	11.95	17.56	3.44	7.16	1.75
R1080A50	19.625 + (1.25xStroke)	11.83	19.94	3.44	7.16	2.00
R10160B50	22.125 + (1.25xStroke)	11.95	17.06	3.44	7.16	1.75
R10160A50	19.625 + (1.25xStroke)	12.61	15.13	4.50	7.16	2.63
R10320A50	19.625 + (1.25xStroke)	11.95	17.06	3.44	7.16	1.75



Standard orientations shown.
Reducer, motor, and limit switch
can be rotated 90° increments.

